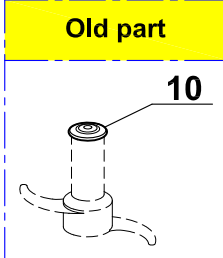
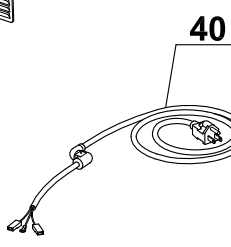
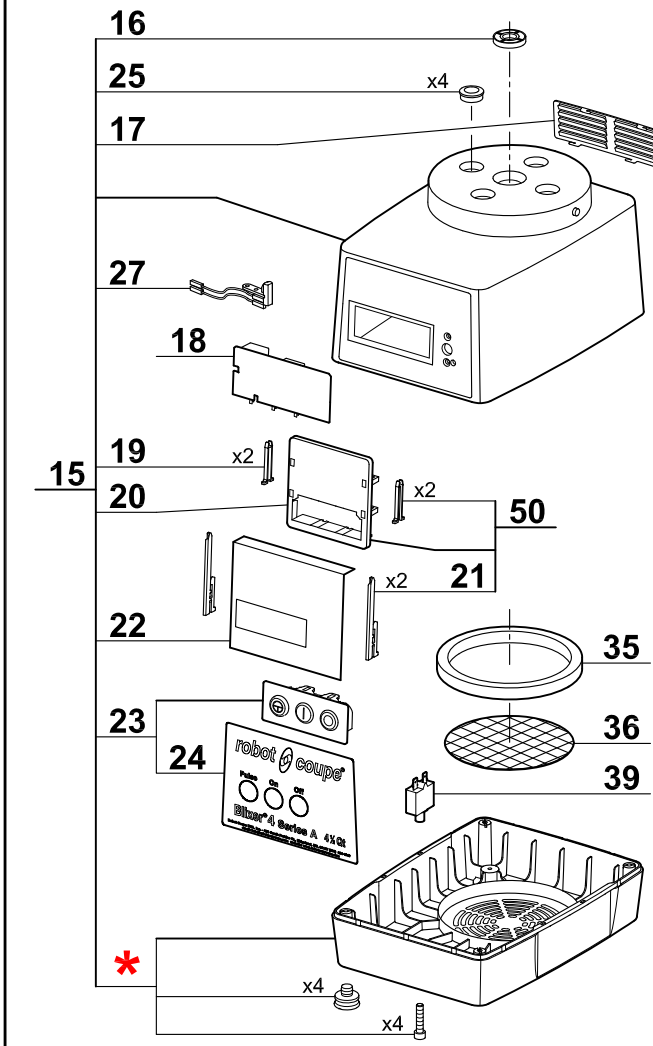
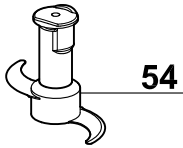
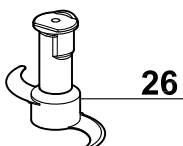
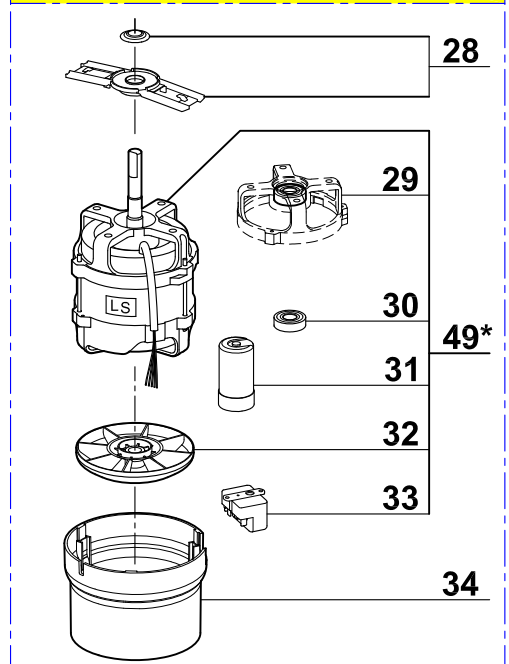


ETL LISTED 9900098
 Conforms to
UL NSF/ANSI
Std 763 Std 8
 Certified to
CAN/CSA
Std C22.2 No.195

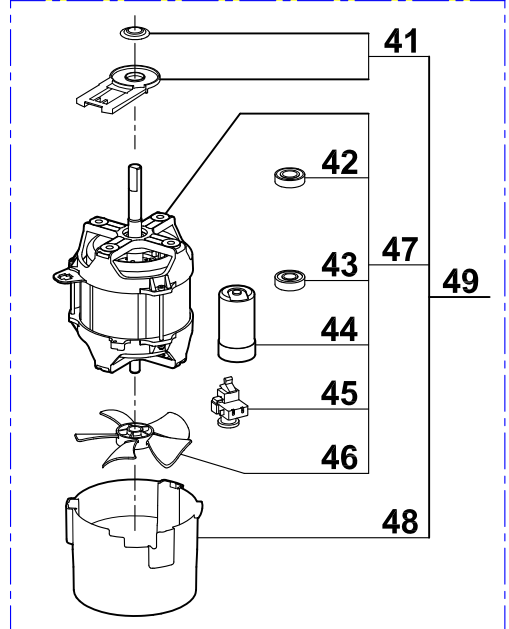


LEROY SOMER MOTOR
Serial Number 498xxxxx03
810xxxxx03



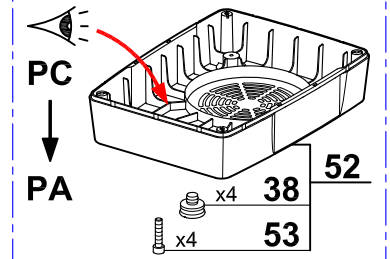
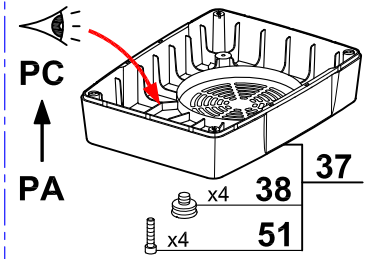
* USE CONVERSION KIT ITEM 49 TO REPLACE COMPLETE LEROY SOMER MOTOR

ROBOT COUPE MOTOR
Serial Number 545xxxxx03



*** Serial number**

498 / 545	810
-----------	-----



Index PDF	Référence	Designation commerciale	Tarif
1	27338	Cutter Attachement	1'400.00 USD
2	39750	COMPLETE LID ASSEMBLY	366.30 USD
3	39749	SCRAPER HANDLE ASSEMBLY	74.20 USD
4	39741	LID ASSEMBLY	216.70 USD
5	39740	LID SEAL	50.80 USD
6	39748	SCRAPER ARM ASSEMBLY	82.80 USD
7	39747	LID SCRAPER ASSEMBLY (QTY = 2)	18.50 USD
8	39746	BOWL SCRAPER	15.50 USD
9	27449	FINE SERRATED BLADE	182.00 USD
10	104935S	BLADE CAP	5.60 USD
11	39758	BOWL ASSEMBLY	929.90 USD
12	39744	BOWL HANDLE ASSEMBLY	103.70 USD
13	39743	SAFETY ROD ASSEMBLY	30.80 USD
14	39745	LOCKING WASHER ASSEMBLY	48.80 USD
15	59575	MOTOR SUPPORT ASSEMBLY	Contact us
16	501010S	SHAFT SEAL	20.10 USD
17	104122S	VENT COVER	16.20 USD
18	103694S	CONTROL BOARD	250.50 USD
19	402913S 59195	PANEL KEY (QTY = 2)	Contact us
20	102911	CONTROL BOARD SUPPORT	9.90 USD
21	117703S	PCB KEY (QTY = 2)	Contact us
22	104131	CONTROL BOARD INSULATOR	5.10 USD
23	39808	CONTROL PANEL ASSEMBLY	246.50 USD
24	39809	FRONT PLATE	25.00 USD
25	59453	BOLT COVER (QTY = 4)	12.40 USD

26	27450	SERRATED BLADE	201.00 USD
27	29441	SAFETY SWITCH ASSEMBLY	30.40 USD
28	39272	DRAINED MOTOR CENTRING ASSEMBLY	10.20 USD
29	106268S	UPPER BALL BEARING WITCH BRACKET	133.70 USD
30	501270S	LOWER BALL BEARING	50.10 USD
31	502732	STARTING CAPACITOR	95.80 USD
32	39286	MOTOR FAN ASSEMBLY	68.60 USD
33	508277	MOTOR STARTING RELAY	119.90 USD
34	102332	VENTILATION BAFFLE	89.40 USD
35	39879	ABSORBER	31.10 USD
36	103761	VENTILATION SCREEN	13.50 USD
37	39201	PC BASE ASSEMBLY	131.10 USD
38	39928	FOOT (QTY = 4)	14.80 USD
39	118442S	CIRCUIT-BREAKER 15A	24.10 USD
40	39313	POWER CORD	33.50 USD
41	39271	DRAINED MOTOR CENTRING ASSEMBLY	5.60 USD
42	504229S	UPPER BALL-BEARING 6002 2RS	Contact us
43	600457S	LOWER BALL-BEARING 6201 2RS	Contact us
44	600089S	STARTING CAPACITOR	26.30 USD
45	503692S	MOTOR STARTING RELAY	32.60 USD
46	117610	MOTOR FAN	16.70 USD
47	303163S	LEROY SOMER MOTOR	469.60 USD
48	39934	VENTILATION BAFFLE	89.30 USD
49	39956	CONVERSION KIT FOR LEROY SOMER MOTOR	461.50 USD
49*	303163S	LEROY SOMER MOTOR	469.60 USD
50	59545	PCB SUPPORT + KEYS ASSEMBLY	Contact us
51	59619	PC BASE SCREW (QTY = 4)	Contact us

52	59557	PA BASE ASSEMBLY	Contact us
53	59558	PA BASE SCREW (QTY = 4)	Contact us
54	27454	SMOOTH BLADE	Contact us